



Product availability: Non-Stock - Not normally stocked in distribution facility



### Main

Range of product	Modicon Quantum automation platform
Product or component type	Low voltage dc discrete input modules
Discrete input number	32

### Complementary

Group of channels	4
Logic input	Positive (sink)
Discrete input voltage	24 V DC
Input voltage limits	20...30 V
Voltage state 1 guaranteed	$\geq 11$ V DC
Voltage state 0 guaranteed	$\leq 5$ V DC
Current state 1 guaranteed	$\geq 2.5$ mA
Current state 0 guaranteed	$\leq 1.2$ mA
Addressing requirement	4 input words
Absolute maximum input	45 V during 10 ms decaying pulse
Response time	2.2 ms from state 0 to state 1 3.3 ms from state 1 to state 0
Isolation between group and bus	1780 Vrms for 1 minute
Isolation between group	500 Vrms for 1 minute
Checks	Broken wire detection
Local signalling	1 LED green bus communication is present (Active) 1 LED red external fault detected (F) 32 LEDs green input status
Marking	CE
Bus current requirement	250 mA
Module format	Standard
Product weight	0.66 lb(US) (0.3 kg)

### Environment


Standards	CSA C22.2 No 142 UL 508
Product certifications	ABS C-Tick FM Class 1 Division 2
Resistance to electrostatic discharge	4 kV contact conforming to IEC 801-2 8 kV on air conforming to IEC 801-2
Resistance to electromagnetic fields	9.14 V/yd (10 V/m) 80...2000 MHz conforming to IEC 801-3
Ambient air temperature for operation	32...140 °F (0...60 °C)
Ambient air temperature for storage	-40...185 °F (-40...85 °C)

Relative humidity	95 % without condensation
Operating altitude	<= 16404.2 ft (5000 m)

### Ordering and shipping details

Category	18155 - QUANTUM I/O & POWER SUPPLIES
Discount Schedule	PC21
GTIN	00785901556114
Nbr. of units in pkg.	1
Package weight(Lbs)	0.9200000000000004
Returnability	N
Country of origin	CN

### Offer Sustainability

Sustainable offer status	Green Premium product
RoHS (date code: YYWW)	Compliant - since 0901 - Schneider Electric declaration of conformity  Schneider Electric declaration of conformity
REACH	Reference not containing SVHC above the threshold
Product environmental profile	Available
Product end of life instructions	Available
California proposition 65	WARNING: This product can expose you to chemicals including:
----- Substance 1	Lead and lead compounds, which is known to the State of California to cause cancer and birth defects or other reproductive harm.
----- More information	For more information go to <a href="http://www.p65warnings.ca.gov">www.p65warnings.ca.gov</a>

### Contractual warranty

Warranty period	18 months
-----------------	-----------

Racks for Modules Mounting

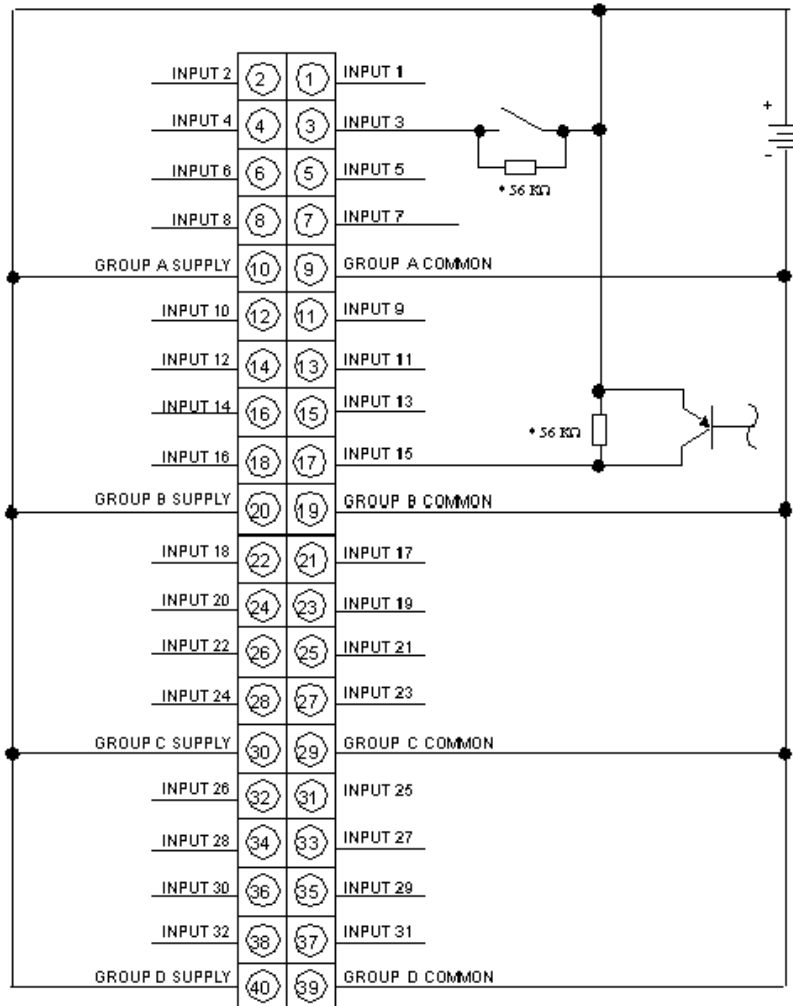
Dimensions of Modules and Racks



- (1) 2 slots
- (2) 3 slots
- (3) 4 slots
- (4) 6 slots
- (5) 10 slots
- (6) 16 slots

24 Vdc Discrete Supervised Input Module

Wiring Diagram



\* Recommended resistor value for 24 Vdc.